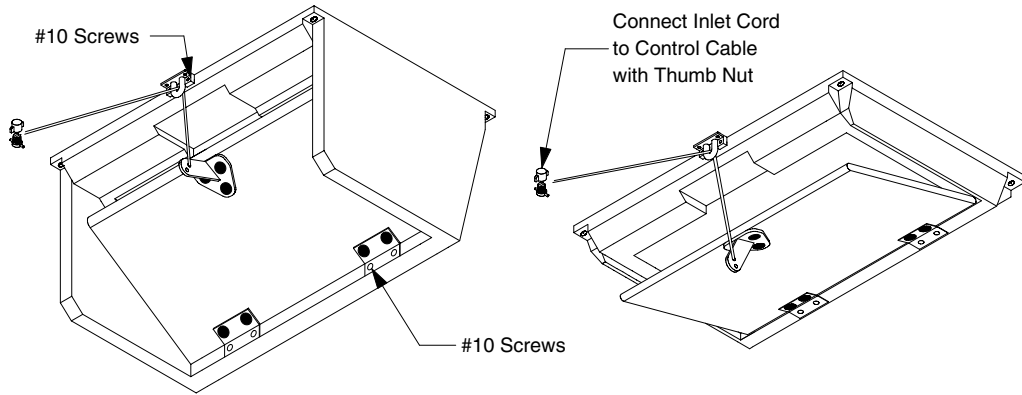


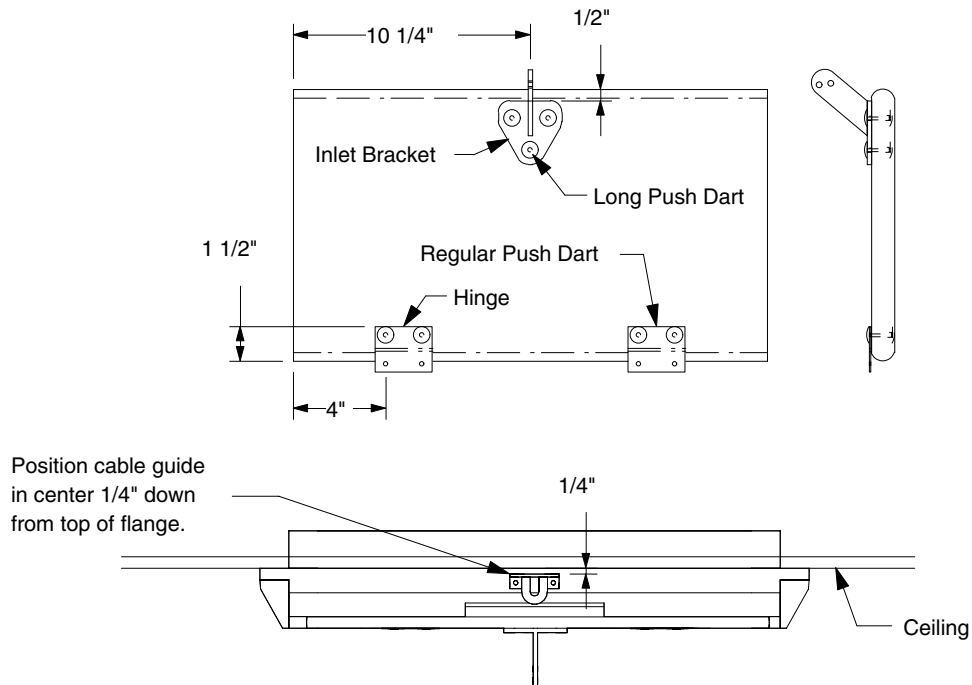
INSTALLATION INSTRUCTIONS

CIK-08/97



PROCEDURE:

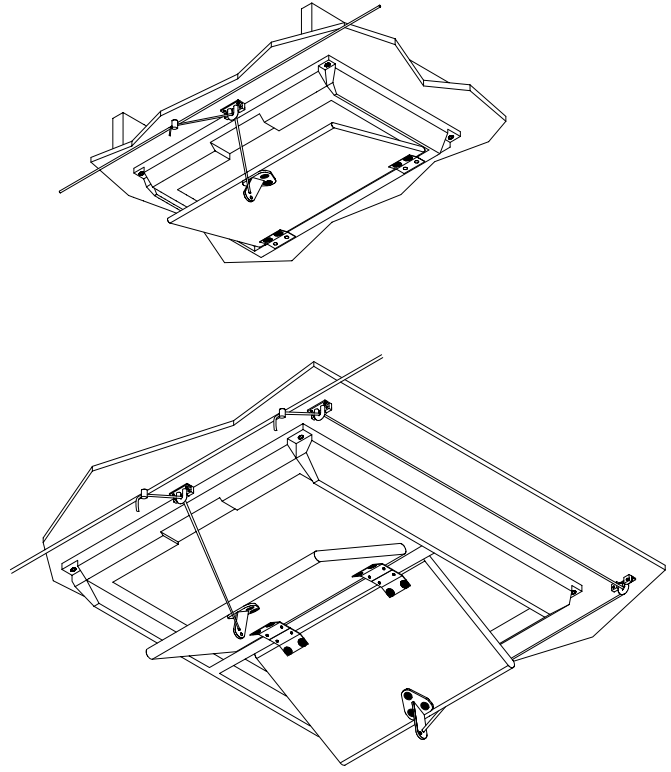
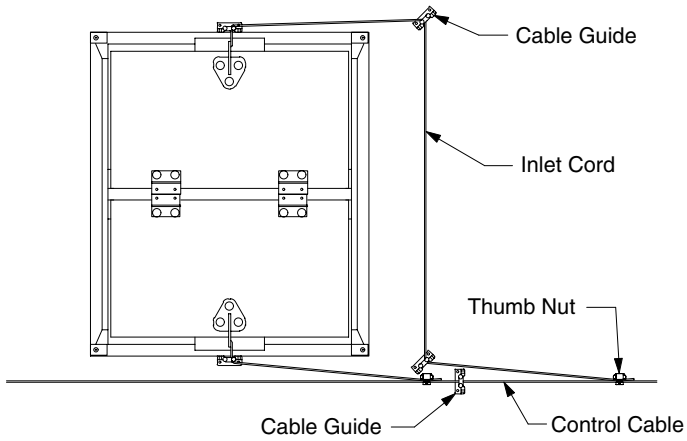
- Remove baffle from inlet.
- See drawing below to position hinges and bracket.
- Push 2 shorter push darts through each hinge and 3 longer push darts through inlet bracket.
- Turn baffle over and put caps on push dart ends. Install caps with rubber hammer or squeeze on with large pliers. Support head of push dart if installing cap with hammer.
- Center baffle assembly in housing and screw in place with 4 - #10 x 3/4" S.S. screws.
- Center cable guide on housing 1/4" down from top and secure with 2 - #10 x 3/4" screws. Make sure inlet cord passes through guide freely.
- Tie inlet cord to bracket on baffle. Run cord through cable guide and fasten to control cable with thumb nut. See back of sheet for cable routing.



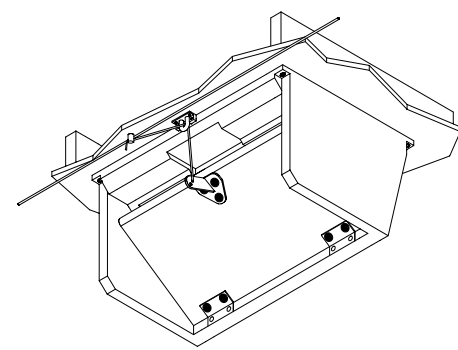
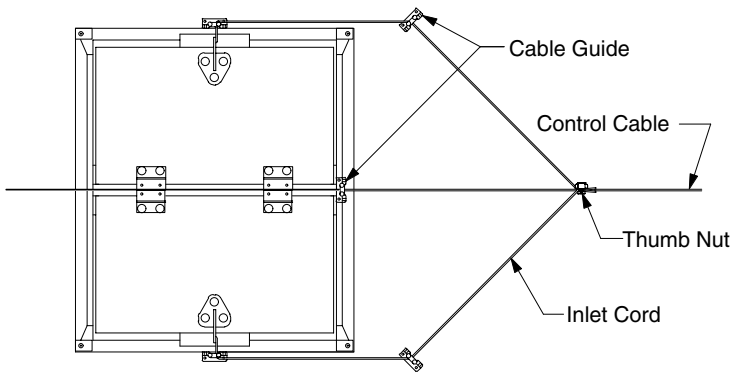
Example inlet cord routings
on a C2 ceiling air inlet.

Installed cabled controlled inlets.

SINGLE LINE CONTROL
Beside Inlet



SINGLE LINE CONTROL
On Centerline



DOUBLE LINE CONTROL (Preferred)
Both Sides of Inlet

