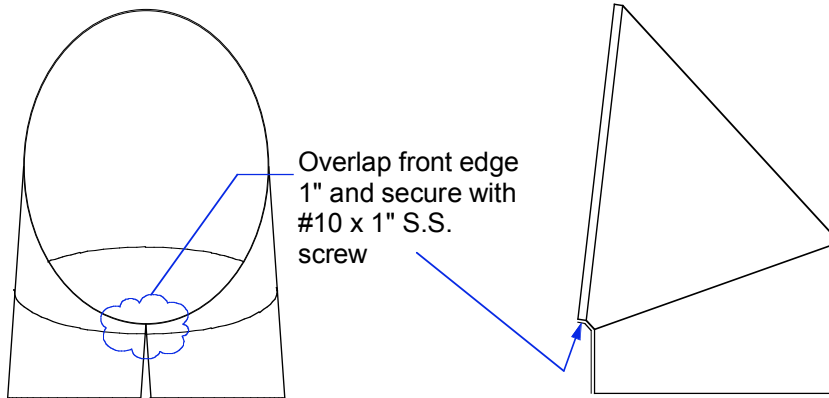


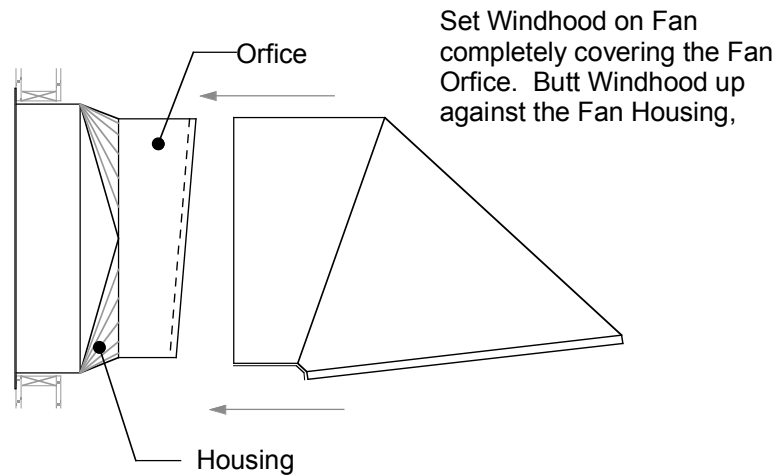
Assembly Drawing

Tolerances: ± 1%
Unless Noted Otherwise

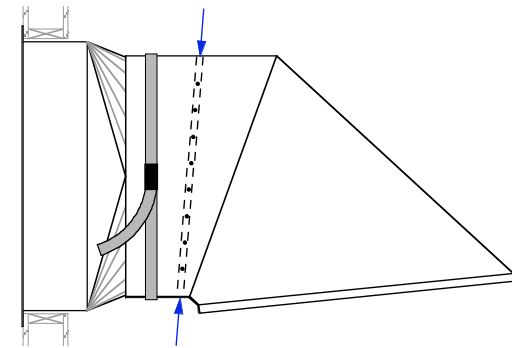
Step 1.



Step 2.



Step 3.



Use a ratchet strap to cinch the Windhood tight around the Fan Orifice. Secure Windhood to Orifice using #10 x 1" S.S. screws. Be careful to ensure that the ends of the screws do not protrude inside the Outlet Screen and interfere with the Fan Blade.

-	-	-	-	DESIGN BY: ---	DATE: ---		R&D PROJECT #	SCALE:	PAGE	OF	
-	-	-	-	DRAWN BY: TSR	DATE: 16-09-02		R&D #	N/A	1	1	
-	-	-	-	APPROVALS (Eng. / Sales / Prod. / Purchasing)			H36 Windhood Installation Instructions				
-	-	-	-	CUSTOMER: DEL-AIR Systems							
REV NO.	DATE	DESCRIPTION	NPC No.								