

NW750 115V Northwind Fan

APPLICATION

The Northwind 750 exhaust fan is a high efficiency, low capacity fan ideally suited for winter ventilation of small rooms.

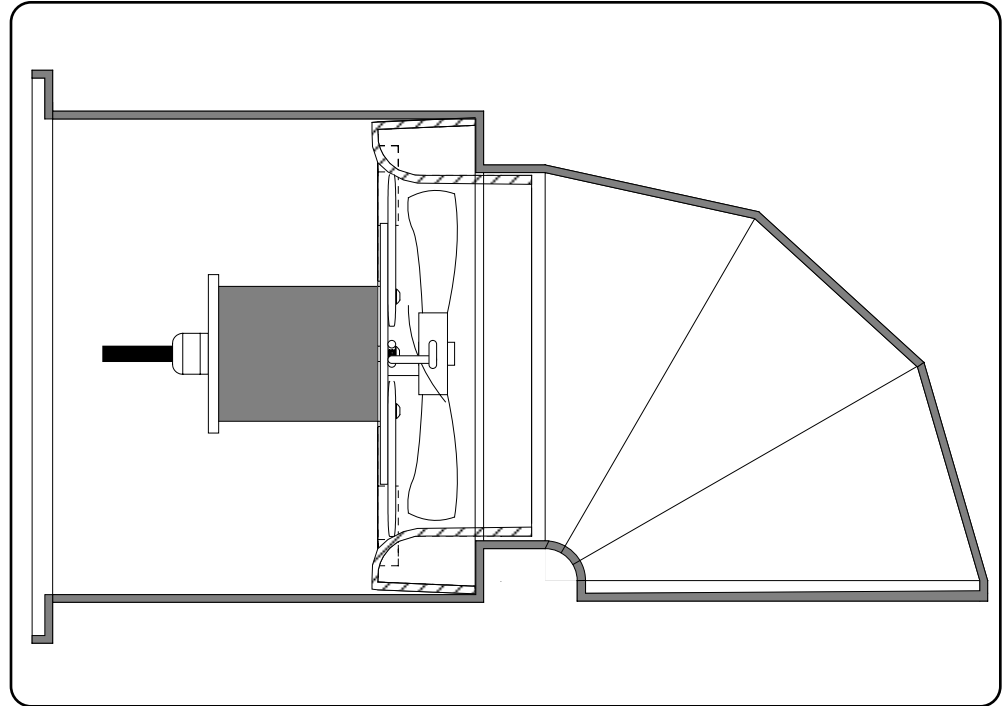
Standard equipment includes windhood, double wall, self-insulating housing (for elimination of frost build-up), and an easy to use, optional backdraft damper.

Del-Air's sleek motor design allows for maximum air movement and self cooling. The molded electrical cord provides simple liquid tight connection to a standard wall plug or

OPERATION

The Northwind 750 fan is ideally suited to applications where variable speed ventilation control is required. The fan plugs directly in to any 115 VAC outlet, or may be controlled by variable speed.

Since this fan is driven directly, there are no belts or additional parts to maintain. All parts are made of corrosion resistant materials for trouble free operation. Servicing this fan is quick and easy.



Motor Data

Make FASCO	Voltage 115	Freq. 50/60
Model 7162-2516	Amps 1.0	Capacitor 12.5 MFD
Type U62	RPM 3275	Insulation Class B

Fan Performance Data

Other Info ->

Static Pressure	CFM	Watts	CFM / Watt
0.0 in H ₂ O	660	132	5.0
0.05 in H ₂ O	646	133	4.9
0.10 in H ₂ O	631	133	4.7

Source: AFMRC (PAMI) Project DL0795

Rough Opening

Width 12 in
Height 12 in

Shipping Info

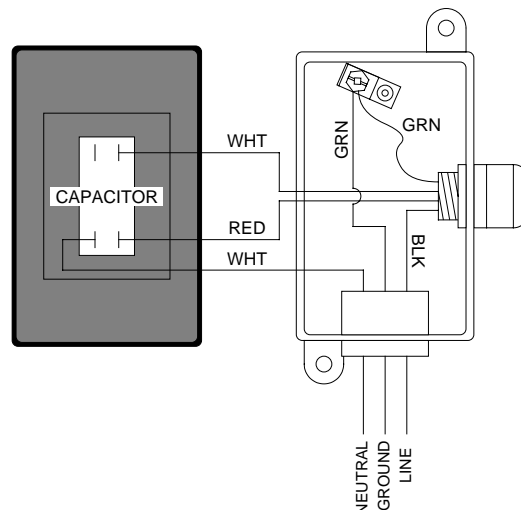
Package of

Length 23 in
Width 14 in
Height 14 in
Volume 2.6 ft³

Shipping Weight (16 lb
) 7.3) kg

- Box Pallet
 Shrink Wrap Other...

Wiring Diagram



Special Instructions

NW750P 115V Panel Fan

APPLICATION

The Northwind 750P Panel fan is a high efficiency, low capacity fan ideally suited for small ducted air delivery or recirculation systems.

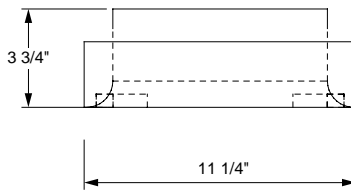
The standard housing allows for direct connection on to round or square ducts.

Del-Air's sleek motor design allows for maximum air movement and self cooling. The molded electrical cord provides simple liquid tight connection to a standard wall plug or controller.

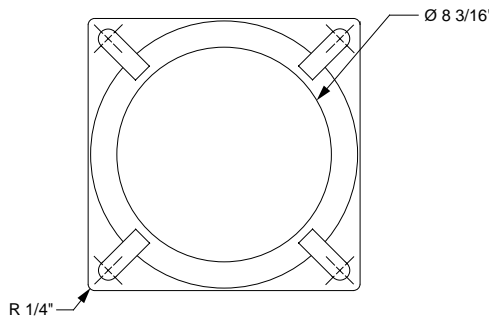
OPERATION

The Northwind 750 panel fan is easily attached to the end or bottom of a duct, or fastened to a ceiling to enhance air movement. The fan plugs directly in to any 115 VAC outlet, or may be controlled by variable speed.

Since this fan is driven directly, there are no belts or additional parts to maintain. All parts are made of corrosion resistant materials for trouble free operation. Servicing this fan is



8" MBS not shown.
Uses the motor described below with the wiring box shown in the wiring diagram included.



Motor Data

Make FASCO

Voltage 208 / 230

Freq. 50/60

Model 7162-2846

Amps 1.0

Capacitor 12.5 MFD

Type U62

RPM 3275

Insulation Class B

Fan Performance Data

Other Info ->

Static Pressure	CFM	Watts	CFM / Watt
0.0 in H ₂ O			
0.05 in H ₂ O	710	148	4.8
0.10 in H ₂ O			

Manufacturer's estimates - PAMI Test pending

Rough Opening

Width 11.25 in

Height 11.25 in

Shipping Info

Package of 1

Length 11.25 in

Width 11.25 in

Height 11.75 in

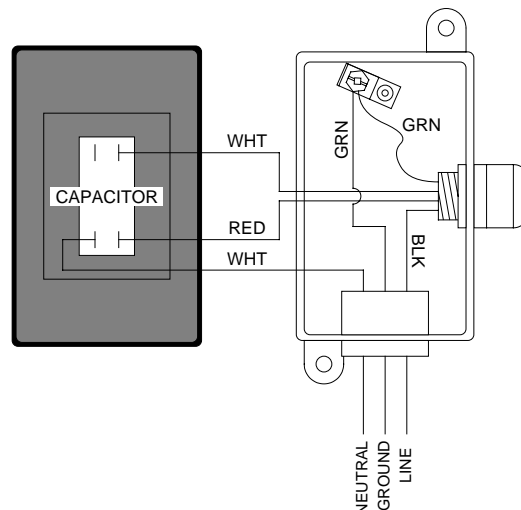
Volume 0.9 ft³

Shipping Weight 8 lb

Weight () 3.6 kg

- Box Pallet
 Shrink Wrap Other...

Wiring Diagram



Special Instructions