

When production relies on healthy livestock ... rely on DEL-AIR!

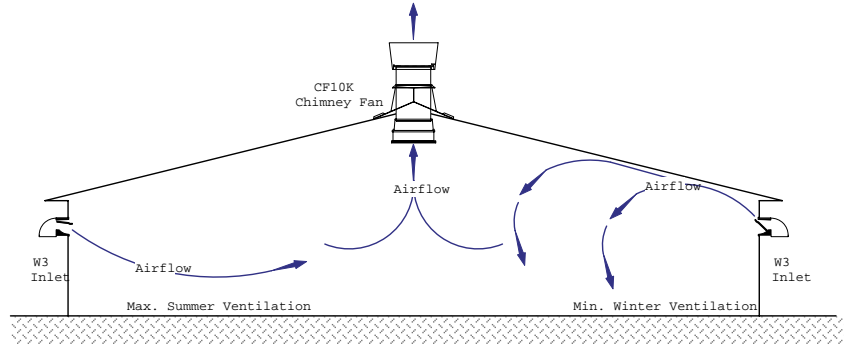
Product Features

- fits between 4' on centre studs
- install individually or side-by-side as a continuous baffle system
- hoods minimize external wind influence
- standard birdscreen covers external opening

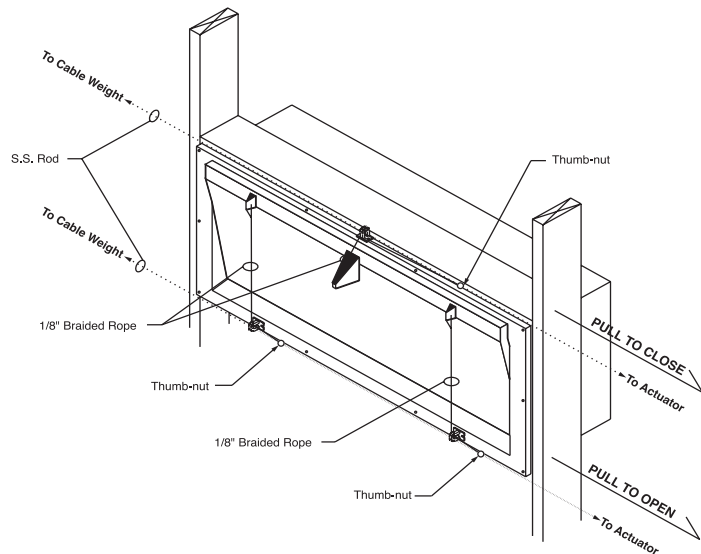
W3 Inlet

Flexible Directed Side-Wall Airflow

Ventilating a livestock facility through an outside wall can introduce new challenges in directing fresh air through the 4 seasons. The W3 inlet is designed to direct air upward when outdoor temperatures are cool. This upward airflow allows incoming clean cool air to mix with the room air, preventing drafts on animals while controlling moisture and maintaining freshness. As outside temperatures rise, the W3 inlet may be set to automatically adjust to progressively direct more air across animals and create the cooling effect required during hot temperatures.



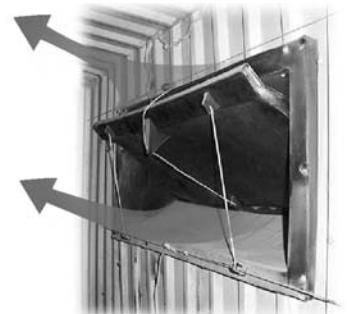
The W3 works with an actuator or winch to pull open and closed. Between 35 & 50% baffle opening, the air is directed upward. At this stage, the bottom edge of the baffle remains sealed, preventing air from escaping horizontally. From 50 to 100% opening, the air is allowed to flow across the facility providing cooling benefits.



W3 Inlet Specifications

AIRFLOW	ROUGH OPENING	
	Width	Height
cfm m ³ /hr	inches (mm)	inches (mm)
3000 (5097)	18 (460)	46.5 (1880)

Requires use of an actuator or winch.
Allow approximately 4 lbs (1.8 kg) of actuator pull per baffle.



DEL-AIR
ISO 9001 CERTIFIED
SYSTEMS
1-800-667-1722
www.del-air.com