

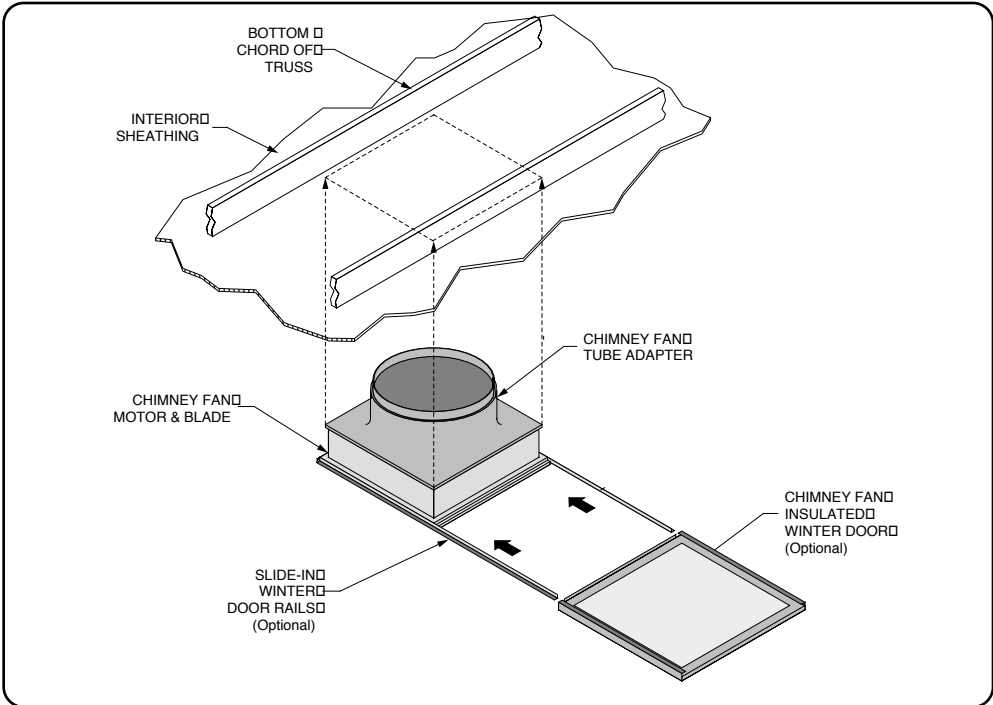
CF10K Chimney Fan Power Kit

APPLICATION

The CF10K exhaust fan is the most energy efficient fan in its class. It's efficiency exceeds all rebate program requirements. The CF10K Power Kit, together with the CF10K Roof Kit (#417150) and 36" Poly Tube (#600160) ventilates rooms through the roof rather than side wall. This is useful in rooms without outer walls. Engineering literature also suggests some benefit in terms of odour control when emissions are expelled above the building peak. Fan fits between standard trusses on 48" centers or wider.

OPERATION

The CF10K fan is ideally suited to applications where variable speed ventilation control is required. The fan is capable of operating at 208 or 230 volts depending on your facilities power supply. Since this fan is driven directly, there are no belts or additional parts to maintain. All parts are made of corrosion resistant materials for trouble free operation. Servicing this fan is quick and easy. Slide the winter door in place for convenient weatherproofing.



Motor Data

Make	FASCO	Voltage	208 / 230	Freq.	50/60
Model	7128-0348	Amps	2.0	Capacitor	20
Type	U28B1	RPM	790	Insulation Class	B

Fan Performance Data			Other Info ->
Static Pressure	CFM	Watts	CFM / Watt
0.0 in H ₂ O	10020	505	19.8
0.05 in H ₂ O	9130	505	18.1
0.10 in H ₂ O	8050	507	15.9

Source: BESS Lab Test No. 95184

Rough Opening

Width 43 in
Height 43 in

Shipping Info

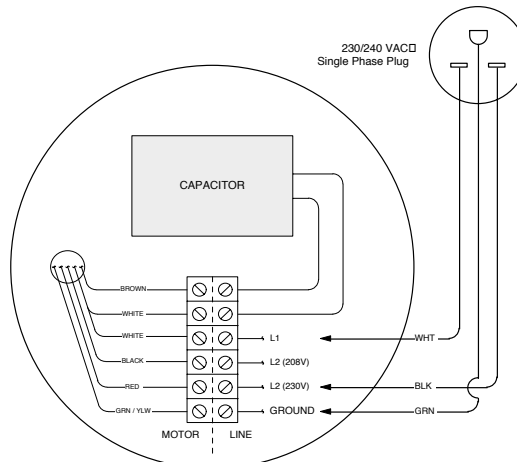
Package of 1

Length in
Width in
Height in
Volume ft³

Shipping Weight (149 lb **)**
Weight (67.7) kg

- Box Pallet
 Shrink Wrap Other...

Wiring Diagram



Connect BLK to BLACK for 208V Facilities
Connect BLK to RED for 230V Facilities

Special Instructions

Shipping dimensions: Call Del-Air for details. The CF10K is shipped in separate parts. Freight savings will be significant on multiple orders.

