

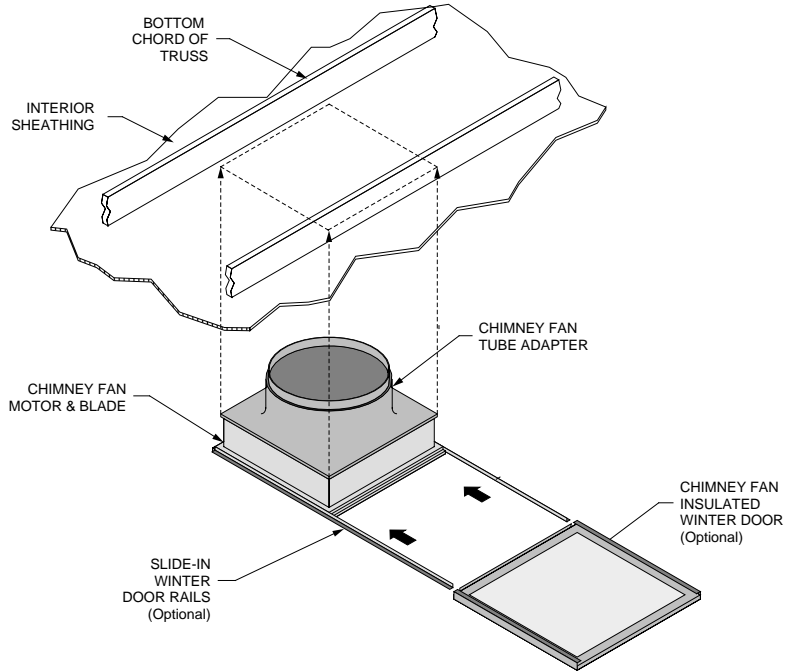
CF4K Chimney Fan Power Kit

APPLICATION

The CF4K exhaust fan is the most energy efficient fan in its class. Its efficiency exceeds all rebate program requirements. The CF4K Power Kit, together with the CF4K Roof Kit (#417100) and 20" Poly Tube (#600150) ventilates rooms through the roof rather than side wall. This is useful in rooms without outer walls. Engineering literature also suggests some benefit in terms of odor control when emissions are expelled above the building peak. Fan fits between standard

OPERATION

The CF4K fan is ideally suited to applications where variable speed ventilation control is required. The fan is capable of operating at 208 or 230 volts depending on your facilities power supply. Since this fan is driven directly, there are no belts or additional parts to maintain. All parts are made of corrosion resistant materials for trouble free operation. Servicing this fan is quick and easy.



Motor Data

Make	FASCO	Voltage	208 / 230	Freq.	50/60
Model	7126-3292	Amps	1.8/1.7	Capacitor	7.5 MFD
Type	U26B1	RPM	1100	Insulation Class	B

Fan Performance Data

Static Pressure	CFM	Watts	Other Info -> CFM / Watt
0.0 in H ₂ O	4730	340	13.9
0.05 in H ₂ O	4550	347	13.1
0.10 in H ₂ O	4380	356	12.3

Source: U of Illinois Bioenvironmental and Structural Systems Laboratory. Tests were conducted on the NW4K, which uses identical air moving components to the CF4K.

Rough Opening

Width 22 1/2 in
Height 25 in

Shipping Info

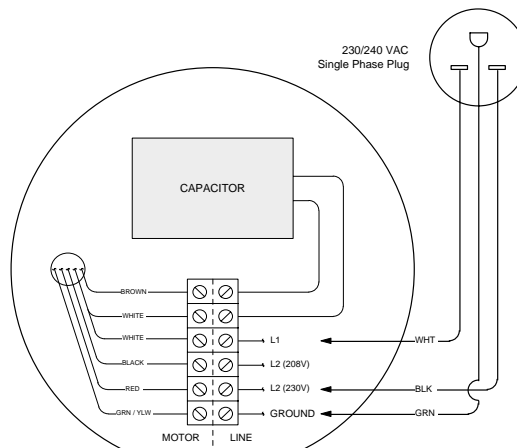
Package of

Length in
Width in
Height in
Volume ft³

Shipping Weight (67 lb
30.5 kg)

- Box Pallet
 Shrink Wrap Other...

Wiring Diagram



Connect BLK to BLACK for 208V Facilities
Connect BLK to RED for 230V Facilities

Special Instructions

Shipping dimensions: Call DEL-AIR for details. The CF4K is shipped in separate parts. Freight savings will be significant on multiple orders.