

NW2K Northwind 2K Exhaust Fan

APPLICATION

The Northwind 2K exhaust fan is the most energy efficient fan in its class. Its efficiency exceeds all rebate program requirements. Standard equipment includes windhood, double wall, self-insulating housing (for elimination of frost build-up), and an easy to use, insulated winter door.

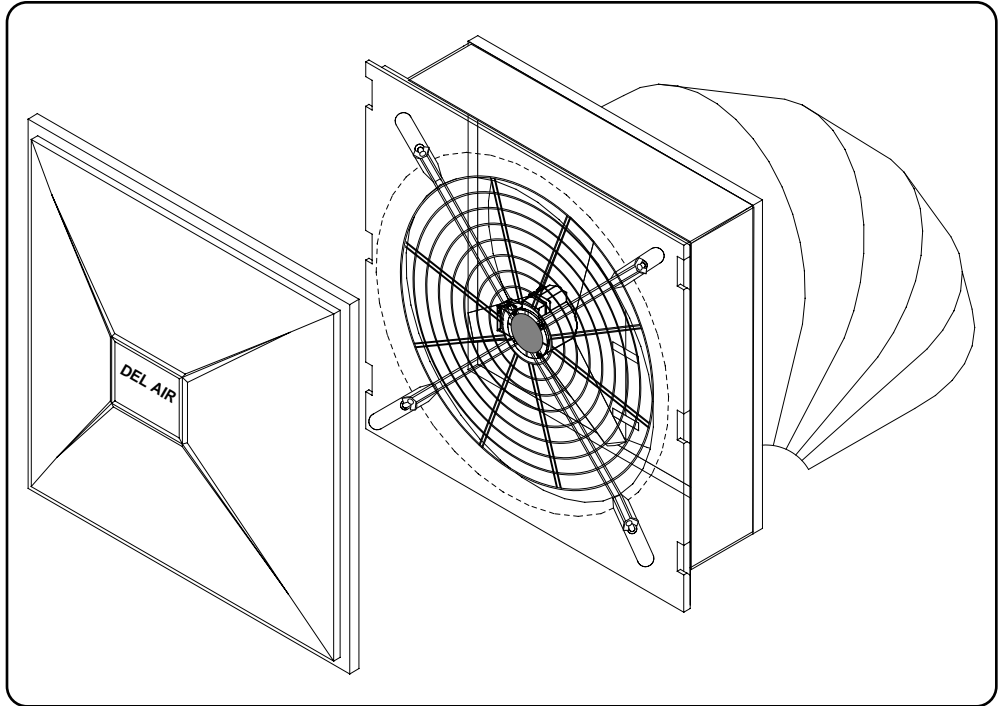
DEL-AIR's sleek motor design allows for maximum air movement and self cooling.

Fan can be ceiling or wall mounted between standard studs.

OPERATION

The Northwind 2K fan is ideally suited to applications where variable speed ventilation control is required. The fan is capable of operating at 208 or 230 volts depending on your facilities power supply.

Since this fan is driven directly, there are no belts or additional parts to maintain. All parts are made of corrosion resistant materials for trouble free operation. Servicing this fan is quick and easy.



Motor Data

Make FASCO

Voltage 208 / 230

Freq. 50/60

Model 7124-1596

Amps 0.9/0.8

Capacitor 5 MFD

Type PSC

RPM 1650

Insulation Class B

Fan Performance Data

Other Info ->

| Static Pressure | CFM | Watts | CFM / Watt |
|--------------------------|------|-------|------------|
| 0.0 in H ₂ O | 2485 | 164 | 15.2 |
| 0.05 in H ₂ O | 2355 | 166 | 14.2 |
| 0.10 in H ₂ O | 2217 | 171 | 13.0 |

Manufacturer's test results - PAMI Test pending. — Data shown is for 3 blade 35° Crowley (Plastic) blade. PAMI test results for Aluminum blade are available.

Rough Opening

Width 19 in

Height 19 in

Shipping Info

Package of 1

Length 22.5 in

Width 23.5 in

Height 15 in

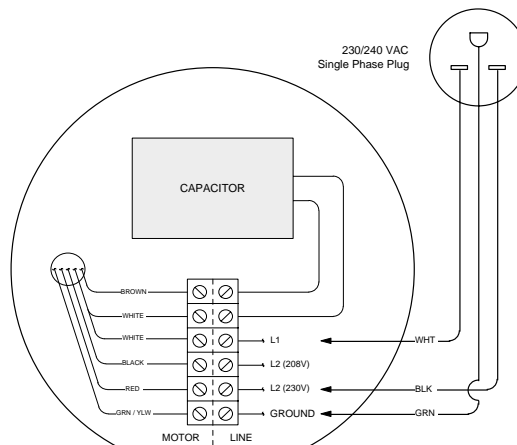
Volume 4.6 ft³

Shipping Weight 50 lb

Weight () 22.7 kg

- Box Pallet
 Shrink Wrap Other...

Wiring Diagram



Connect BLK to BLACK for 208V Facilities
Connect BLK to RED for 230V Facilities

Special Instructions

* Wind Hood is shipped separately without box. On multiple orders, the hoods are nested to reduce shipping space.

Shipping volume one hood

19 x 19 x 27 in each additional hood, add 2 in to 27in dimension.

