

NW4K Northwind 4K Exhaust Fan

APPLICATION

The Northwind 4K exhaust fan is the most energy efficient fan in its class. Its efficiency exceeds all rebate program requirements. Standard equipment includes windhood, double wall, self-insulating housing (for elimination of frost build-up), and an easy to use, insulated winter door.

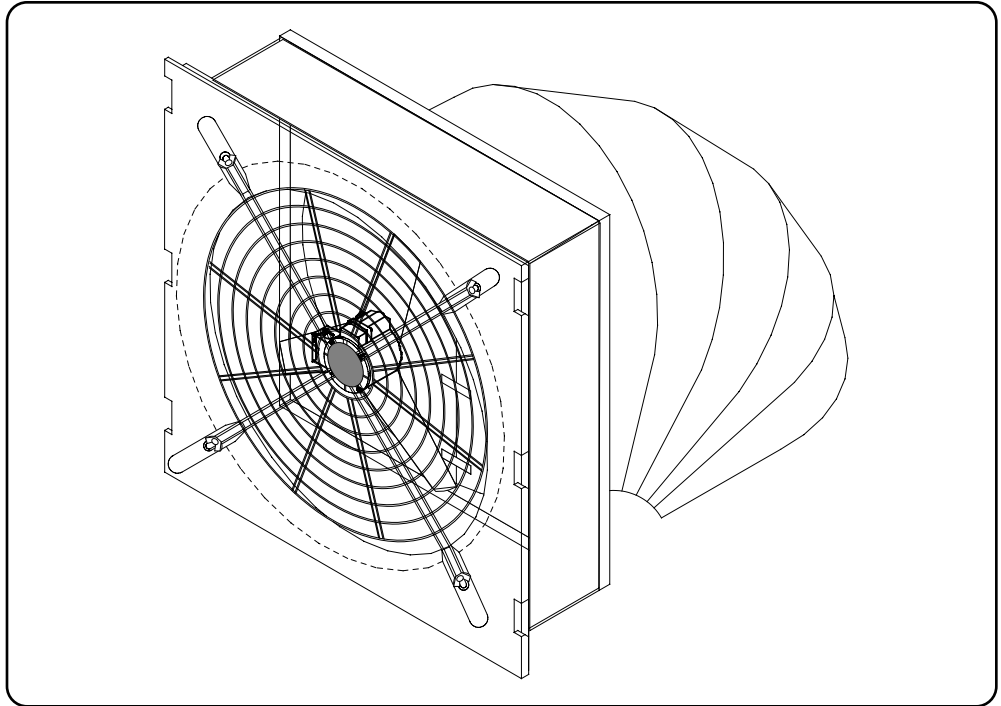
Del-Air's sleek motor design allows for maximum air movement and self cooling.

Fan can be ceiling or wall mounted between standard studs.

OPERATION

The Northwind 4K fan is ideally suited to applications where variable speed ventilation control is required. The fan is capable of operating at 208 or 230 volts depending on your facilities power supply.

Since this fan is driven directly, there are no belts or additional parts to maintain. All parts are made of corrosion resistant materials for trouble free operation. Servicing this fan is quick and easy.



Motor Data

Make	FASCO	Voltage	208/230	Freq.	50/60 Hz
Model	7126-3292	Amps	1.8/1.7	Capacitor	7.5 MFD
Type	U26B1	RPM	1100	Insulation Class	B

Fan Performance Data

Other Info ->

Static Pressure	CFM	Watts	CFM / Watt
0.0 in H ₂ O	4610	352	13.1
0.05 in H ₂ O	4410	362	12.2
0.10 in H ₂ O	4210	369	11.4

Source: U of Illinois Bioenvironmental and Structural Systems Laboratory

Rough Opening

Width 22 1/2 in
Height 25 in

Shipping Info

Package of

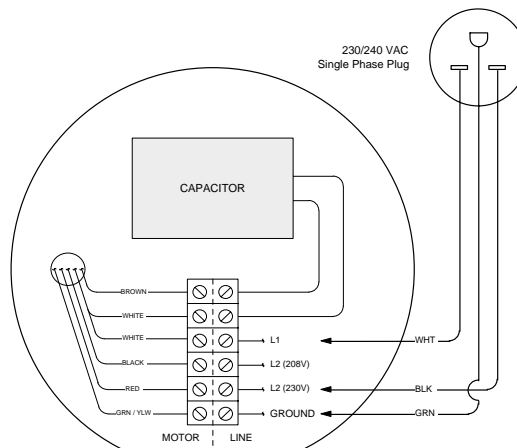
Length 16 in
Width 26.75 in
Height 30.75 in

Volume 7.6 ft³

Shipping Weight (67 lb
) 30.5 kg

- Box Pallet
 Shrink Wrap Other...

Wiring Diagram



Connect BLK to BLACK for 208V Facilities
Connect BLK to RED for 230V Facilities

Special Instructions

* Wind Hood is shipped separately without box. On multiple orders, the hoods are nested to reduce shipping space. Shipping volume one hood 27 x 31 x 40 in each additional hood, add 2 in to 40in dimension.

NW4K - 4K Panel Fan

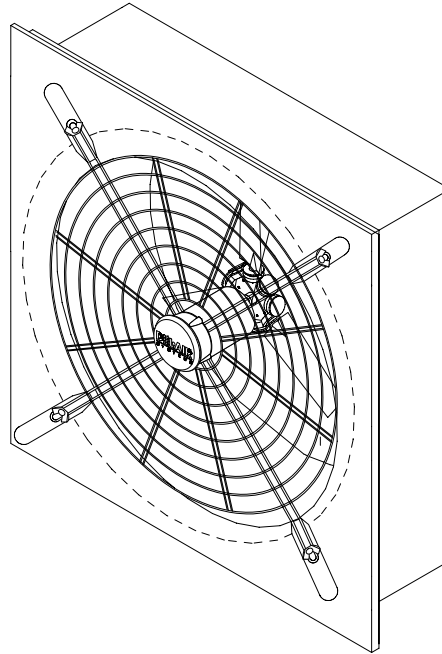
APPLICATION

The Northwind 4K exhaust fan is the most energy efficient fan in its class. Its efficiency exceeds all rebate program requirements.

This fan is the same as the wall mount exhaust fan but does not include the windhood, winter door, or butterfly damper.

Del-Air's sleek motor design allows for maximum air movement and self cooling.

Fan can be ceiling or wall mounted between standard studs.



OPERATION

The Northwind 4K fan is ideally suited to applications where variable speed ventilation control is required. The fan is capable of operating at 208 or 230 volts depending on your facilities power supply.

Since this fan is driven directly, there are no belts or additional parts to maintain. All parts are made of corrosion resistant materials for trouble free operation. Servicing this fan is quick and easy.

Motor Data

Make FASCO

Voltage 208/230

Freq. 50/60 Hz

Model 7126-3292

Amps 1.8/1.7

Capacitor 7.5 MFD

Type U26B1

RPM 1100

Insulation Class B

Fan Performance Data

Other Info ->

Static Pressure	CFM	Watts	CFM / Watt
0.0 in H ₂ O	4730	340	13.9
0.05 in H ₂ O	4550	347	13.1
0.10 in H ₂ O	4380	356	12.3

Source: U of Illinois Bioenvironmental and Structural Systems Laboratory

Rough Opening

Width 22 1/2 in

Height 25 in

Shipping Info

Package of

Length 16 in

Width 26.75 in

Height 30.75 in

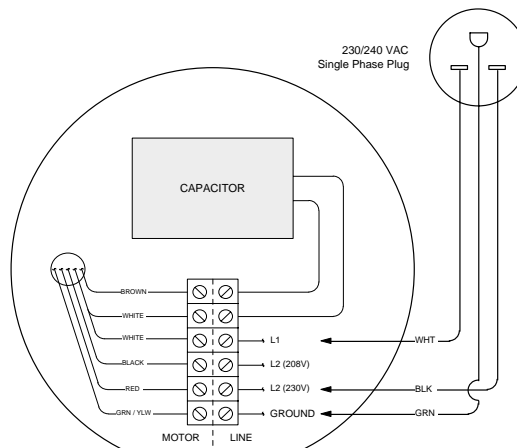
Volume 7.6 ft³

Shipping Weight 67 lb

Weight () 30.5 kg

- Box Pallet
 Shrink Wrap Other...

Wiring Diagram



Connect BLK to BLACK for 208V Facilities
Connect BLK to RED for 230V Facilities

Special Instructions