

## NW6K Northwind 6K Exhaust Fan

### APPLICATION

The Northwind 6K exhaust fan is the most energy efficient fan in its class. Its efficiency exceeds all rebate program requirements. Standard equipment includes windhood, double wall, self-insulating housing (for elimination of frost build-up), and an easy to use, insulated winter door.

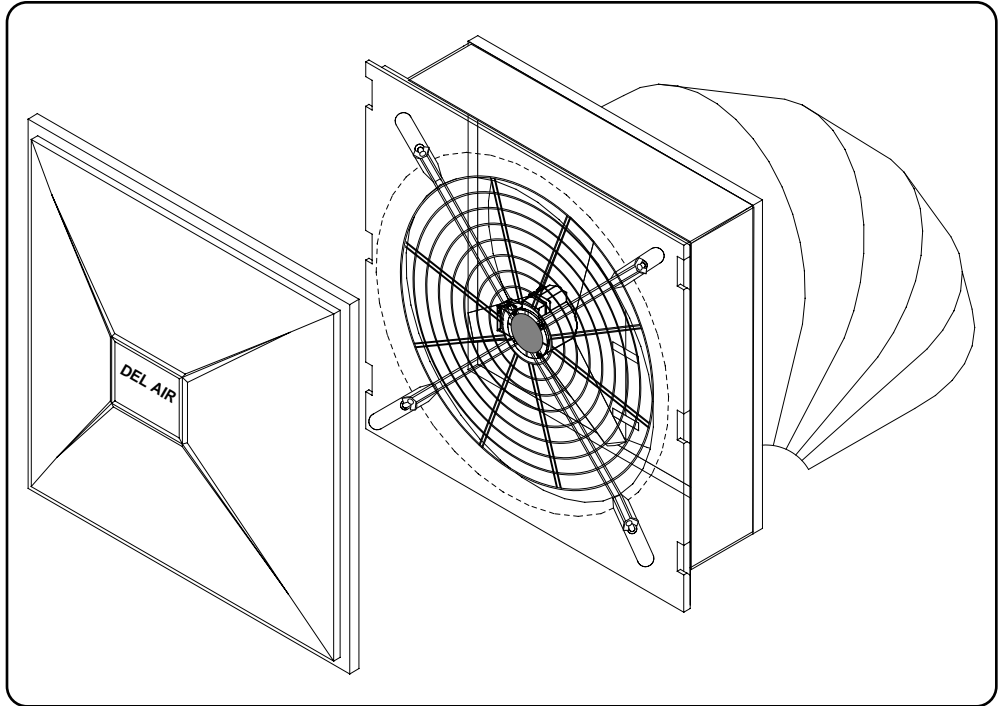
Del-Air's sleek motor design allows for maximum air movement and self cooling.

Fan can be ceiling or wall mounted between standard studs.

### OPERATION

The Northwind 6K fan is ideally suited to applications where variable speed ventilation control is required. The fan is capable of operating at 208 or 230 volts depending on your facilities power supply.

Since this fan is driven directly, there are no belts or additional parts to maintain. All parts are made of corrosion resistant materials for trouble free operation. Servicing this fan is quick and easy.



### Motor Data

**Make** FASCO

**Voltage** 208/230

**Freq.** 50/60 Hz

**Model** 7128-0348

**Amps** 1.9/1.8

**Capacitor** 20

**Type** U28B1

**RPM** 805

**Insulation Class** B

### Fan Performance Data

### Other Info ->

Static Pressure	CFM	Watts	CFM / Watt
0.0 in H <sub>2</sub> O	6640	393	16.9
0.05 in H <sub>2</sub> O	6190	409	15.1
0.10 in H <sub>2</sub> O	5800	426	13.6

Source: U of Illinois Bioenvironmental and Structural Systems Laboratory

### Rough Opening

**Width** 31.5 in

**Height** 31.5 in

### Shipping Info

**Package of**

**Length** 37 in

**Width** 35 in

**Height** 16 in

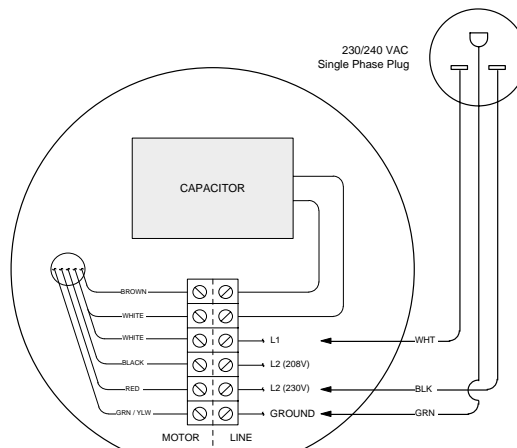
**Volume** 12.0 ft<sup>3</sup>

**Shipping Weight** 92 lb

**Weight ( )** 41.8 kg

- Box       Pallet  
 Shrink Wrap       Other...

### Wiring Diagram



Connect BLK to BLACK for 208V Facilities  
Connect BLK to RED for 230V Facilities

### Special Instructions

\* Wind Hood is shipped separately without box. On multiple orders, the hoods are nested to reduce shipping space.

Shipping volume one hood

32 x 32 x 43 in each additional hood, add 2 in to 43 in dimension.

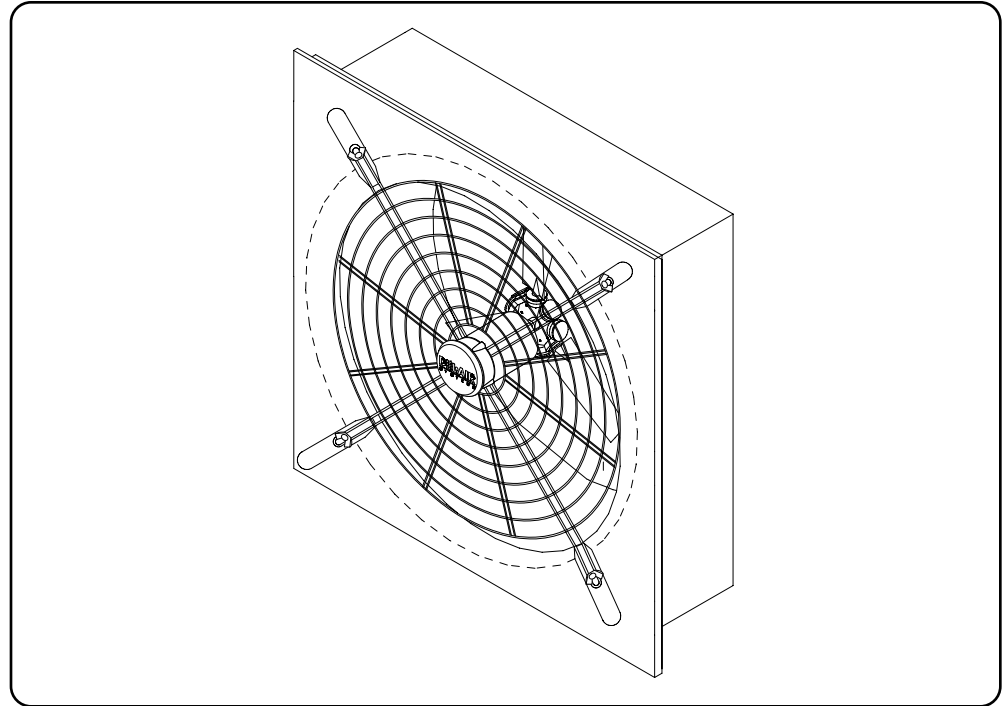
## NW6K Northwind 6K Panel Fan

### APPLICATION

The Northwind 6K exhaust fan is the most energy efficient fan in its class. Its efficiency exceeds all rebate program requirements.

This fan is the same as the wall mount exhaust fan but does not include the windhood, winter door, or butterfly damper.

Del-Air's sleek motor design allows for maximum air movement and self cooling. Fan can be ceiling or wall mounted between standard studs.



### OPERATION

The Northwind 6K fan is ideally suited to applications where variable speed ventilation control is required. The fan is capable of operating at 208 or 230 volts depending on your facilities power supply.

Since this fan is driven directly, there are no belts or additional parts to maintain. All parts are made of corrosion resistant materials for trouble free operation. Servicing this fan is quick and easy.

### Motor Data

Make FASCO

Voltage 208 / 230

Freq. 50/60

Model 7128-0348

Amps 1.9/1.8

Capacitor 20

Type U28B1

RPM 805

Insulation Class B

### Fan Performance Data

### Other Info ->

Static Pressure	CFM	Watts	CFM / Watt
0.0 in H <sub>2</sub> O	6850	384	17.8
0.05 in H <sub>2</sub> O	6490	404	16.1
0.10 in H <sub>2</sub> O	6070	416	14.6

Source: U of Illinois Bioenvironmental and Structural Systems Laboratory Test No. 93260

### Rough Opening

Width 31.5 in

Height 31.5 in

### Shipping Info

Package of

Length 37 in

Width 35 in

Height 16 in

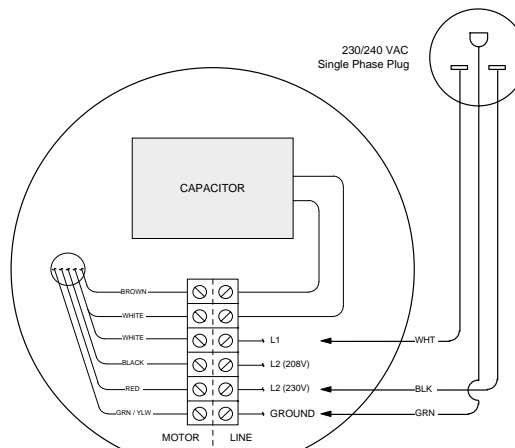
Volume 12.0 ft<sup>3</sup>

Shipping Weight ( 92 lb )

Weight ( 41.8 ) kg

Box     Pallet  
 Shrink Wrap     Other...

### Wiring Diagram



Connect BLK to BLACK for 208V Facilities  
 Connect BLK to RED for 230V Facilities

### Special Instructions